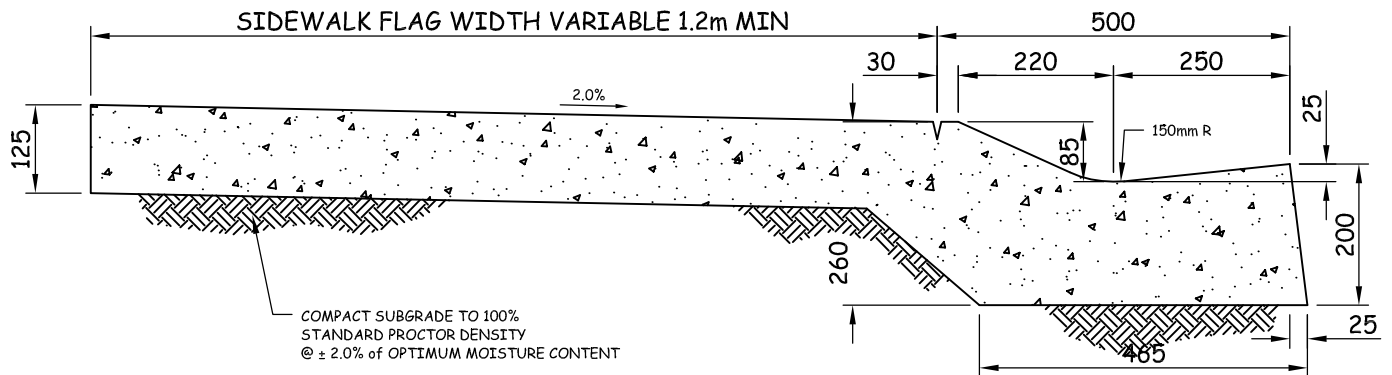
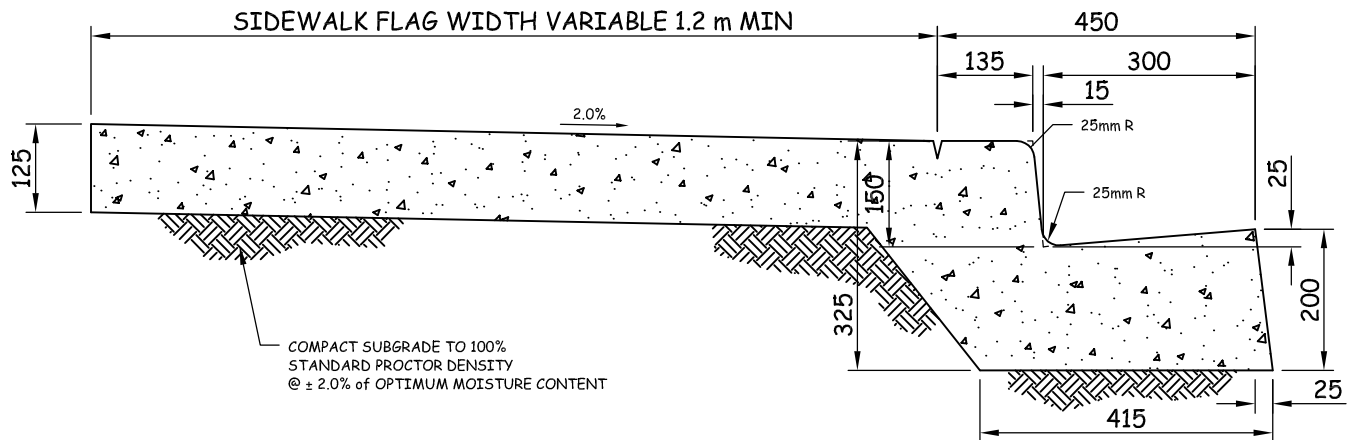


PLAN VIEW



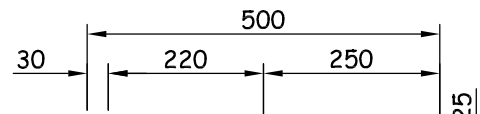
ROLLED CURB SECTION



STANDARD CURB SECTION

NOTES:

1. CONCRETE TO BE TYPE 50, 25 Mpa, 5%-8% AIR, WITH 300kg/m<sup>3</sup> CEMENT. TO A MAX OF 360 kg/m<sup>3</sup> OF CEMENTATIOUS MATERIAL
2. ALL DIMENSIONS ARE IN MILLIMETRES.



Authorized \_\_\_\_\_  
 Signature \_\_\_\_\_  
 Date \_\_\_\_\_  
 FILE: DRAWING1.DWG LAYOUT RD-202



MONOLITHIC SIDEWALK,  
 CURB & GUTTER

DWG NO.  
 RD-302