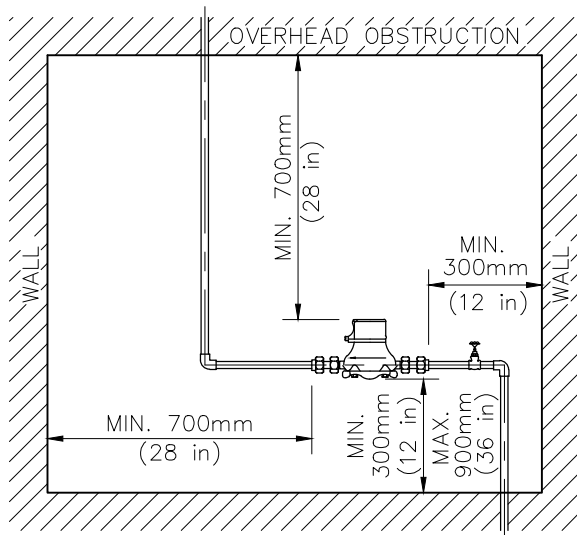
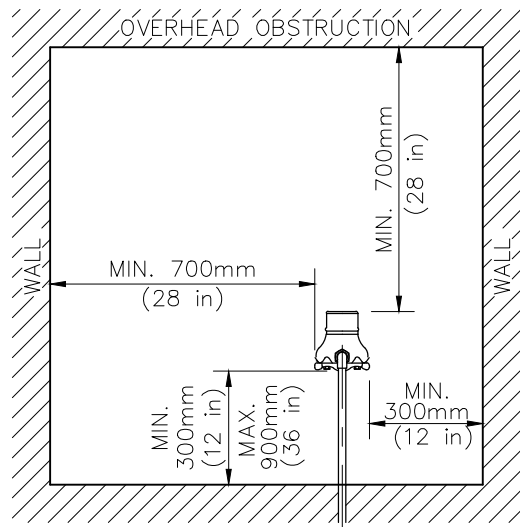


REQUIRED INSTALLATION CLEARANCES

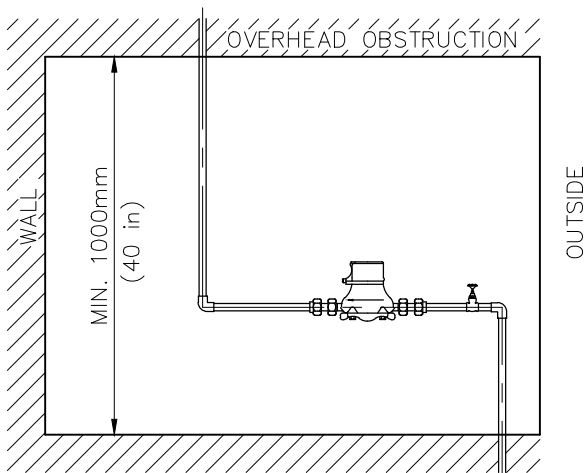


SIDE VIEW

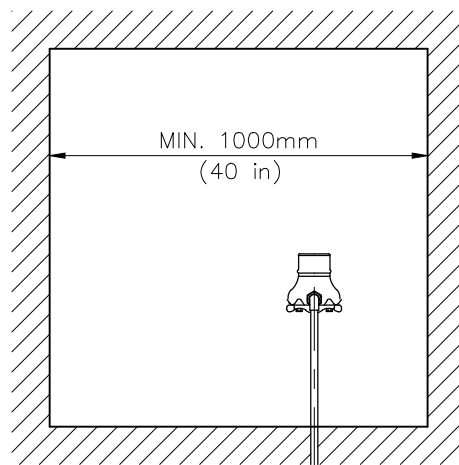


END VIEW

REQUIRED ACCESS CLEARANCES



SIDE VIEW



END VIEW

NOTE:

- ACCESS DOORWAY OR HATCH TO BE LOCATED TO LEAVE SHORTEST PATH OF ACCESS TO THE WATER METER.
- PATH OF ACCESS MUST NOT BE OBSTRUCTED BY SEWER LINES, GAS LINES OR ANY OTHER IMMOVEABLE OBJECT.

AUTHORITY: BYLAW 2379 CLAUSE 24

						DATE: 98/12/18	 Medicine Hat The Gas City	MINIMUM REQUIRED WATER METER INSTALLATION & ACCESS CLEARANCES
						SCALE: 1:20		
						DRAWN: C.G.K.		
						APPROVED: SIEWA. MAK.		
No.	02	03	22	CHANGED DWG NUMBER FROM EU-210	CGK	BY APP'D	Environmental Utilities	DWG. No. EU-213
				REVISION DESCRIPTION				