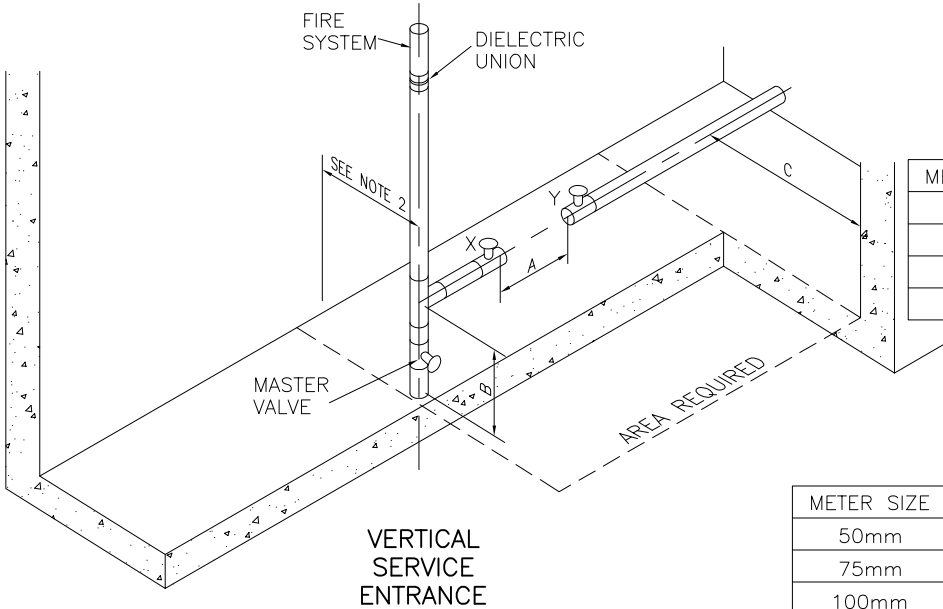


# METER SETTING SPECIFICATIONS

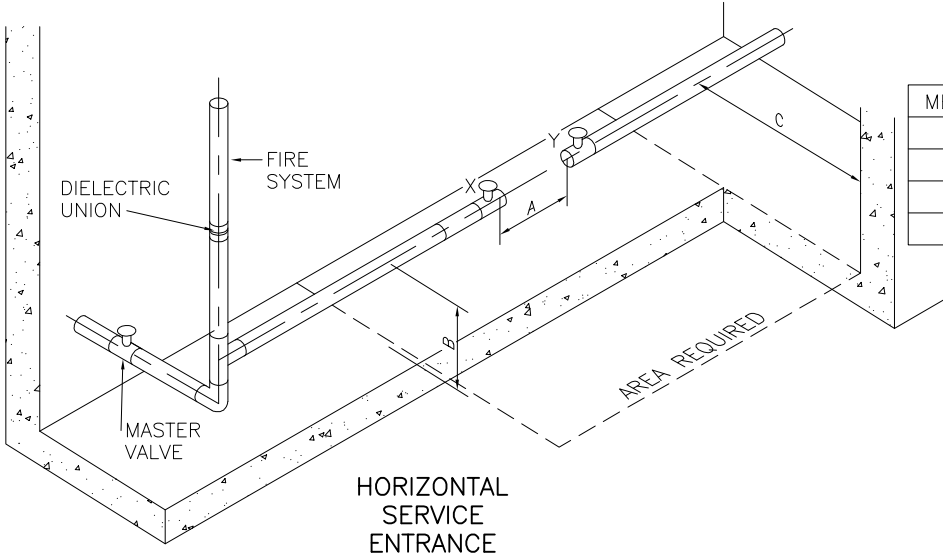
FOR METERS 50mm AND LARGER



METER SIZE	MINIMUM AREA REQUIRED
50mm	1.5m x 1.3m = 2.0m <sup>2</sup>
75mm	2.1m x 1.3m = 2.7m <sup>2</sup>
100mm	2.1m x 1.3m = 2.7m <sup>2</sup>
150mm	2.4m X 1.3m = 3.1m <sup>2</sup>

METER SIZE	A(mm)	B(mm)	C(mm)
50mm	900	300min. – 900max	925min
75mm	1050	375min – 450max	925min
100mm	1050	375min – 450max	925min
150mm	1225	375min – 450max	925min

**VERTICAL SERVICE ENTRANCE**



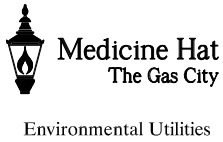
METER SIZE	MINIMUM AREA REQUIRED
50mm	1.5m x 1.4m = 2.1m <sup>2</sup>
75mm	2.1m x 1.4m = 2.9m <sup>2</sup>
100mm	2.1m x 1.4m = 2.9m <sup>2</sup>
150mm	2.4m X 1.4m = 3.4m <sup>2</sup>

**HORIZONTAL SERVICE ENTRANCE**

1. VALVES X AND Y MUST BE THREADED OR FLANGED TYPE.
2. THE MAIN PIPE ALIGNMENT MUST BE A MINIMUM 300mm FROM ANY WALL, FIXTURE, PARTITION OR OTHER PIPING.
3. THE SPACE ABOVE THE FLOOR AREA C x E MUST BE FREE FROM OBSTRUCTIONS TO A HEIGHT OF 1975mm.
4. ALL COMBINED DOMESTIC AND FIRE SERVICES MUST HAVE A MASTER CONTROL VALVE BEFORE DOMESTIC TAKE-OFF.

No.	DATE	REVISION DESCRIPTION	BY	APP'D
5	13 08 01	GENERAL REVISION	CGK	AP
4	10 12 22	RE-DRAW DRAWING	PMD	BG
3	02 03 22	CHANGED DWG NUMBER FROM EU-206	CGK	X
2	01 11 21	REMOVED METER BYPASSES	CGK	X
1	01 01 16	HYBRID, GENERAL REVISION	CGK	X

DATE: 82/04/08  
SCALE: N.T.S.  
DRAWN: M.J.  
APPROVED: SIEWAL, MAK



## METER SETTING SPECIFICATIONS

DWG. No. EU-209