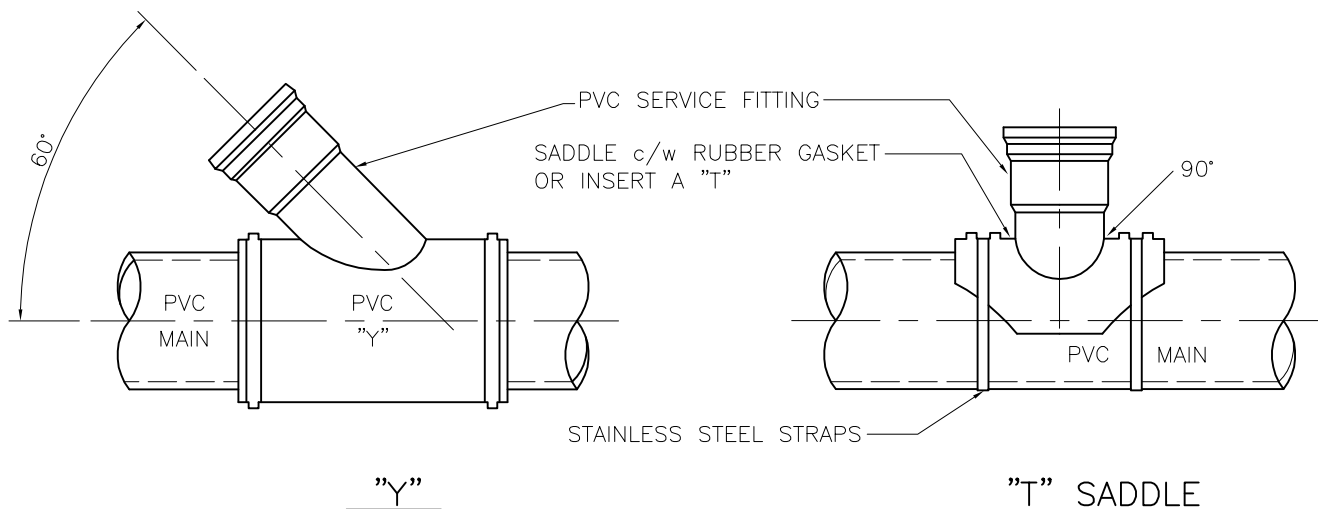


TYPICAL CONNECION FOR CONCRETE MAIN



TYPICAL CONNECTION FOR PVC MAIN

						DATE:	
						SCALE:	N.T.S.
3	11	01	06	REVISED NOTES AND DRAWING	CRB		
2	01	06	18	MODIFIED PVC NOTES	CGK	DRAWN:	V.S.
1	01	01	25	HYBRID	CGK	APPROVED:	SIEWAL. MAK
No.	YY	MM	DD	REVISION DESCRIPTION	BY	APP'D	

**Medicine Hat**  
The Gas City

Environmental Utilities

SEWER SERVICE CONNECTIONS TO MAINS

DWG. No. EU-112