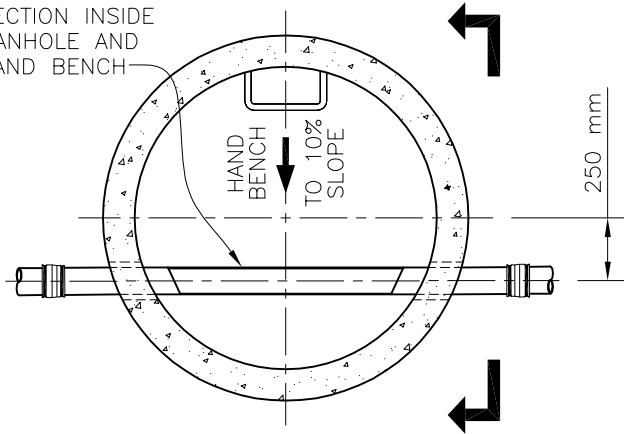
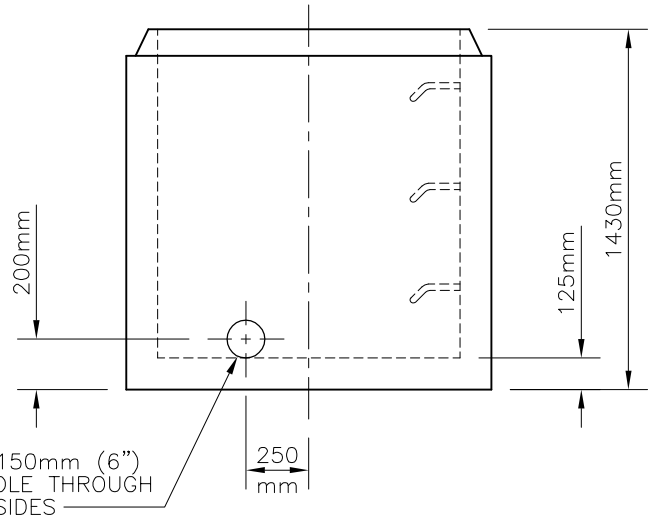


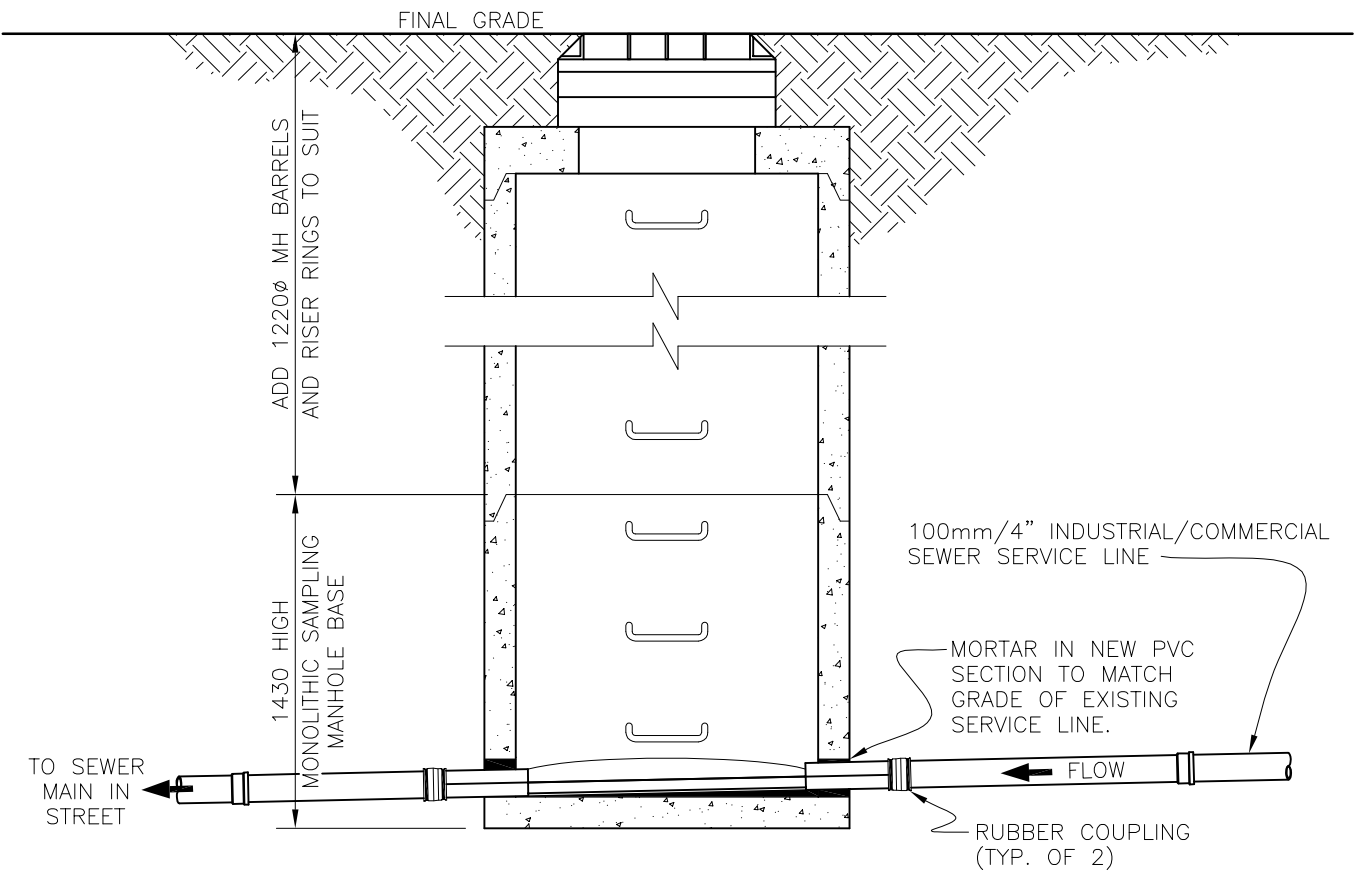
CUT OPEN TOP HALF
OF NEW PVC PIPE
SECTION INSIDE
MANHOLE AND
HAND BENCH



PLAN VIEW OF BASE




END VIEW OF BASE



INSTALLATION SECTION

AUTHORITY: BYLAW 1541(SEWER) CLAUSE 509

				DATE: 07/06/12	 Medicine Hat The Gas City	INDUSTRIAL/COMMERCIAL OFFSET SAMPLING MANHOLE DETAILS	
				SCALE: 1:30			
				DRAWN: C.G.K.			
No.	YY MM DD DATE	REVISION DESCRIPTION	BY	APP'D	APPROVED: RALPH HAVINGA	Environmental Utilities	DWG. No. EU-114