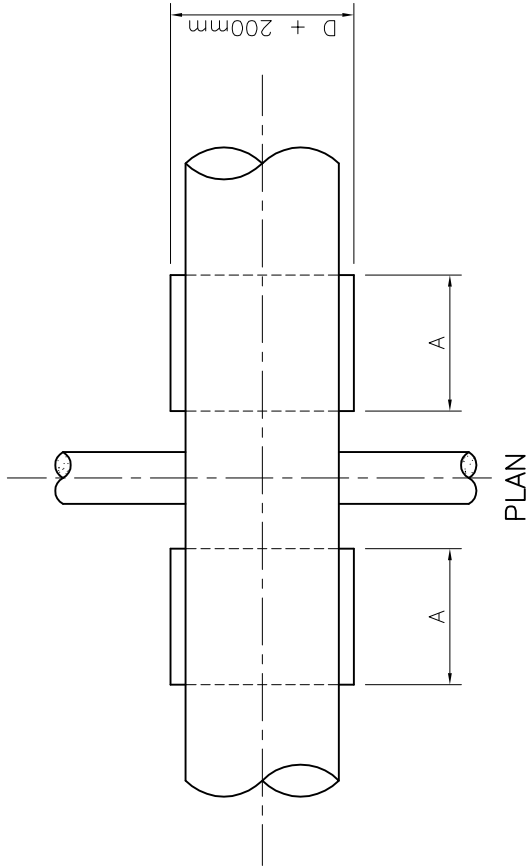
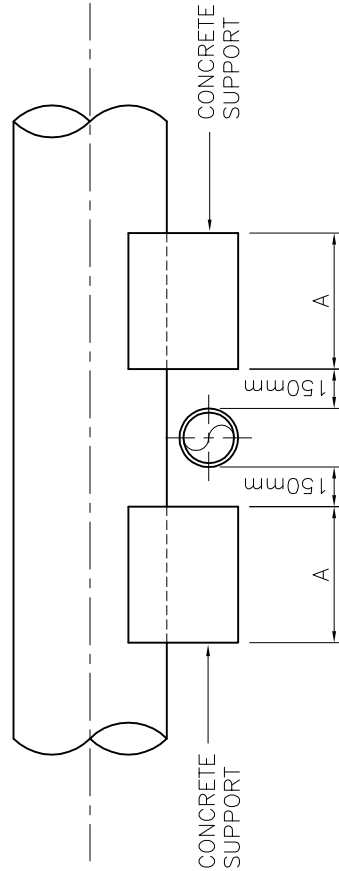


NOTE:

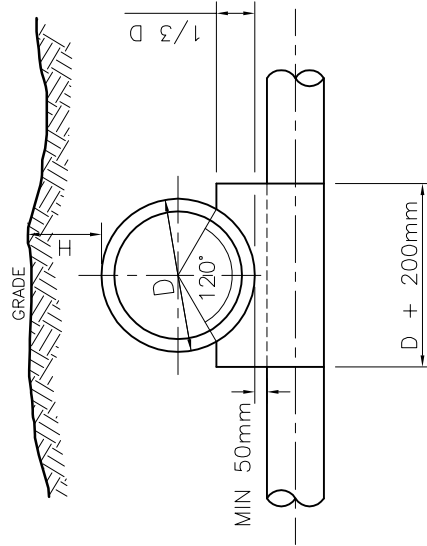
- TO BE USED WHERE MAXIMUM DISTANCE BETWEEN PIPE (ANY SIZE) IS 300mm AND MINIMUM DISTANCE OF 50mm
- WHERE REQUIRED CONCRETE SHALL BE SULPHATE RESISTANT
- POURED CONCRETE SUPPORT BETWEEN
- NO PRECAST CONCRETE BLOCKS TO BE USED
- BONDING BETWEEN CONCRETE PIPE AND CONCRETE SUPPORT WILL NOT BE PERMITTED
- CONCRETE SHALL BE 20 MPa AT 28 DAY STRENGTH



PLAN



ELEVATION



SIDE VIEW

"H"	"A"
0mm TO 2450mm	900mm
2450mm TO 4250mm	1200mm
4250mm TO 6100mm	1500mm

No.	YY	MM	DD	REVISION DESCRIPTION	BY	APP'D
4	11	01	21	REVISED NOTES AND DRAWING	CGK	
3	11	01	05	REVISED NOTES AND DRAWING	CRB	
2	02	03	22	CHANGED DWG NUMBER FROM EU-110	CGK	
1	01	01	17	HYBRID, GENERAL REVISION	CGK	

DATE:	80/08/
SCALE:	N.T.S.
DRAWN:	V.S.
APPROVED:	SIEW L. MAR



Medicine Hat
The Gas City

Environmental Utilities

METHOD FOR SUPPORTING PIPES CROSSING OTHER UTILITIES	
DWG. No.	EU-111