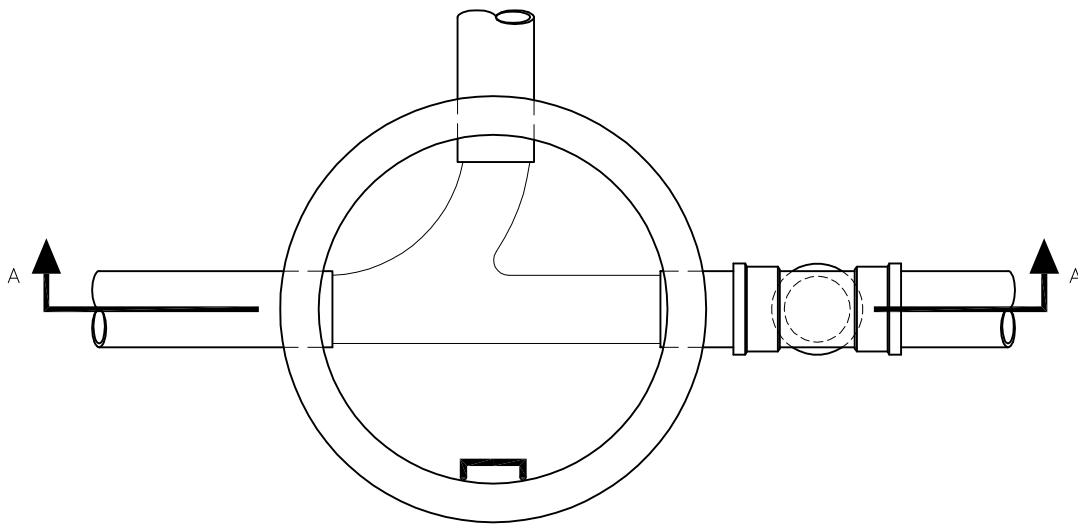



- NOTE:**
1. USE DEFORMED BARS THROUGHOUT
 2. COVER FOR REINFORCIG STEEL SHALL BE 50mm EXCEPT FOR BOTTOM ROW OF BARD IN BASE SLAB WHERE 75mm COVER SHALL BE USED
 3. CONCRETE STRENGTH TO BE 20MPa IN 28 DAYS
 4. REINFORCING STEEL TO BE INTERMEDIATE GRADE $f_s=140MPa$
 5. ALL LAPS TO BE 30 BAR DIAMETER
 6. AS AN ALTERNATE USE 150x150 4/4 WELDED WIRE IN BAS SLAB, TOP AND BOTTOM
 7. USE TYPE 1220 MANHOLE UP TO AND INCLUDING 600mm DIAMETER PIPE
 8. CONCRETE SHALL BE SULPHATE RESISTANT
 9. FOR OTHER DETAILS SEE DRAWING EU-101 NOTE
 10. ALL DROP MANHOLES IN MAINLINES WITH DIAMETER GREATER THAN 200mm SHALL BE EXTERNAL DROP

SECTION A-A



PLAN

7	15	06	08	REVISED THRUST BLOCK NOTE	JED						
6	11	06	28	GENERAL REVISION	CRB						
5	11	01	18	GENERAL REVISION	CGK						
4	02	08	30	REVISED DROP STRUCTURE	CGK						
3	02	03	22	REVISED CROSS REFERENCE	CGK						
2	01	11	20	CHANGED BRANCH DIAMETER	CGK						
1	01	01	16	HYBRID, GENERAL REVISION	CGK						
No.	YY	MM	DD	REVISION DESCRIPTION	BY	APP'D	APPROVED:				
	DATE						SIEWA. MAK				
							DATE:	80/08/			DROP MANHOLE
							SCALE:	N.T.S.			
							DRAWN:	V.S.			
							APPROVED:		Environmental Utilities	DWG. No.	EU-103