

FINISHED GRADE

MANHOLE FRAME & COVER  
SEE DWG EU-108

SLAB TOP

CUT AWAY TOP  
SIDE OF STANDARD  
PVC TEE FOR  
MAINT. ACCESS

INTERNAL  
DROP  
STRUCTURE  
(MAX 200Ø)

INCOMING SEWER  
MAX 200Ø

ATTACH TO MANHOLE WALL  
WITH STAINLESS STEEL  
STRAPS AND STAINLESS STEEL  
SCREWS OR NON CORRODING  
HARDWARE (LEAD OR PLASTIC  
ANCHORS)

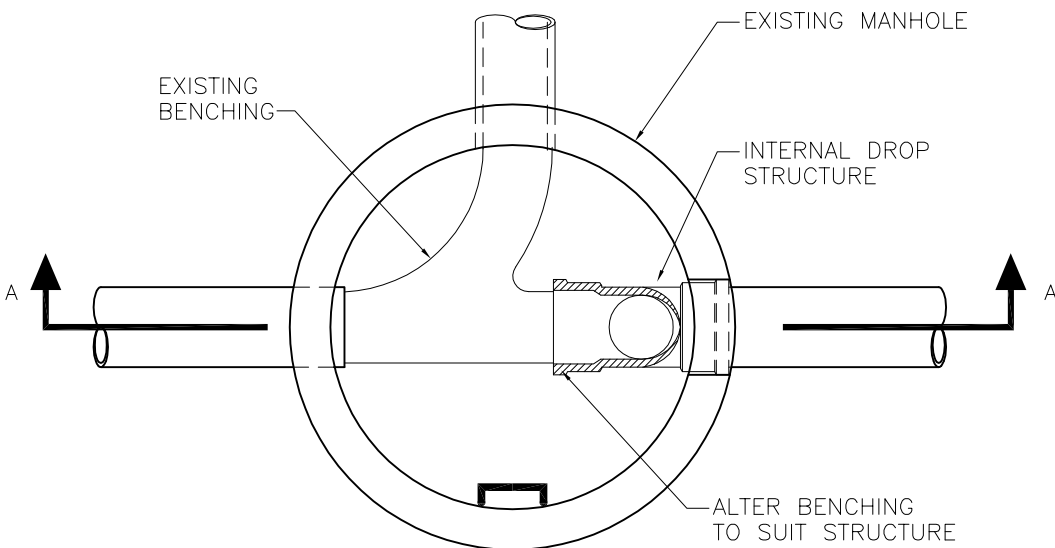
DROP  
INLET

ALTER BENCHING TO  
SUIT STRUCTURE


**NOTE:**

1. THE INTERNAL DROP STRUCTURE IS TO BE USED FOR VERTICAL DROPS AND IS SUBJECT TO THE FOLLOWING CONDITIONS:
  - a) PIPE DIAMETER MUST BE 200mm OR LESS
  - b) DROP OUTLET MUST DISCHARGE INTO THE BOTTOM OF THE CHANNEL
  - c) ONLY TO BE USED IN EXISTING MANHOLES

**SECTION A-A**



**PLAN**

5	11	06	28	GENERAL REVISION	CRB	DATE:	80/08/	 <p><b>Medicine Hat The Gas City</b></p> <p>Environmental Utilities</p>	<p><b>INTERNAL DROP MANHOLE</b> (FOR INSTALLATION IN EXISTING MANHOLES WITH MAX. 200Ø PIPES)</p>
4	11	01	19	GENERAL REVISION	CGK	SCALE:	N.T.S.		
3	10	11	25	REVISED NOTES AND DRAWING	PMD	DRAWN:	V.S.		
3	02	08	30	REVISED NOTES AND INLET FITTINGS	CGK	APPROVED:	SIEWAL. MAK		
2	02	03	22	REVISED CROSS REFERENCE	CGK				
1	01	11	20	CREATED FROM EU-103	CGK			DWG. No.	EU-104
No.	YY	MM	DD	REVISION DESCRIPTION	BY	APP'D			
			DATE						